

MAGNETEK HAS OVER 35 YEARS OF PROVEN ELEVATOR EXPERIENCE

COMPACT DESIGN • PERFORMANCE & RELIABILITY • ENERGY SAVINGS



REGENERATIVE BRAKING PRODUCTS



MAGNETEK
ELEVATOR

High Performance Line Regeneration for Elevator Applications

Any time an AC motor is overhauled by the driven load, excess energy is generated and fed back to the inverter. In elevator applications, this condition occurs on virtually every run. This energy must be properly handled to avoid drive faults or possible equipment damage.

RegenAC™ reclaims excess regenerative energy from the motor and supplies it back to the 3-Phase AC power system. RegenAC is wired in parallel with the adjustable frequency drive. It takes the place of traditional dynamic braking resistors, which dissipate excess energy into the ambient environment in the form of 'heat.'



THE ENERGY EFFICIENT SOLUTION FOR ELEVATOR APPLICATIONS

Key Features

- Rated for elevator duty cycles
- Compact design for optimized panel space
- Independently sized for regeneration requirements
- Use in conjunction with traditional dynamic braking resistors when line regeneration is prohibited (i.e. emergency power conditions)
- Add to any existing AC drive to make a regenerative system

Multiple Packaging Options:

SYSTEM KIT

All system components (for customer installation)

PANEL-MOUNTED KIT

All system components are panel mounted and factory wired

ENCLOSED PACKAGE KIT

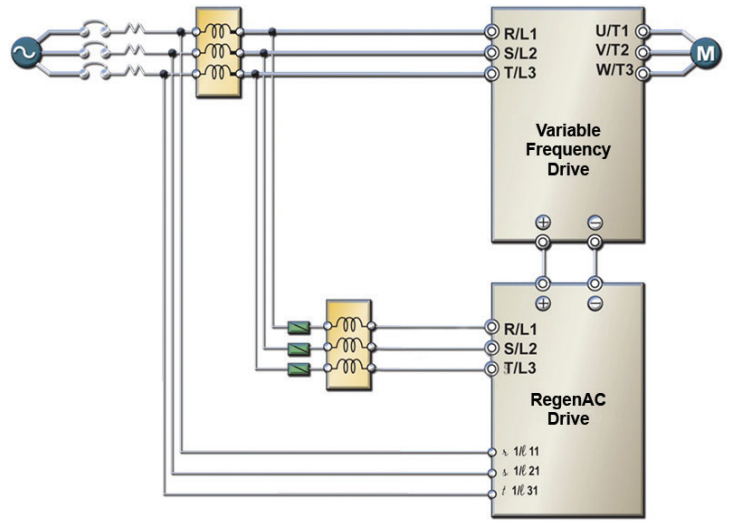
All system components in a factory wired enclosure

Converter Specifications

- Input Voltage Ratings: 200-240VAC, 380-480VAC (3 phase, +10%/-15%)
- Input Frequency: 50/60Hz \pm 3Hz
- Power Factor: >0.9 (lagging)
- Control Wiring:
 - 8 Digital Inputs
 - Fault Relay Output
 - 2 Logic Outputs
 - 2 Analog Outputs
- LCD Display
- Ambient Service Temperatures: -10 to 40°C
- CSA Certified

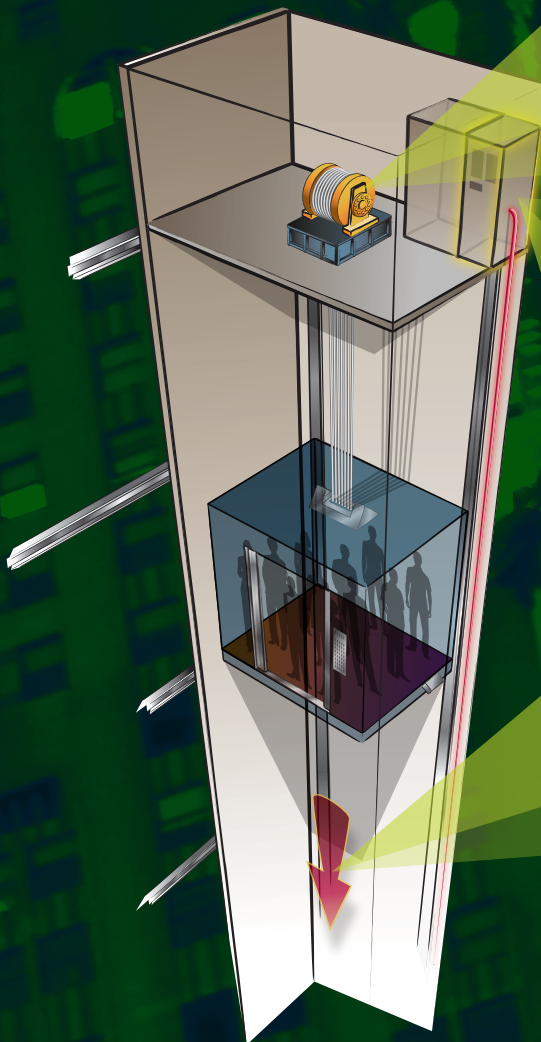
RegenAC™ Benefits

- Reduces the energy consumed
- May qualify for utility rebates
- Reduces machine room heating created by operation of dynamic braking resistors
- Beneficial in gearless applications
- Energy saving option with new drive installations or as an upgrade to existing drives



System Block Diagram

EFFICIENT GREEN ELEVATOR APPLICATIONS



Under load, an elevator motor consumes electricity as the elevator car is lifted — but actually generates energy as the car descends

Magnetek's RegenAC captures the energy generated by the elevator drive and motor and returns it to the utility power grid. This product may be added to existing installations resulting in a more efficient elevator system.

With Magnetek's RegenAC, regenerated energy can be reused, saving money on electricity bills every time the elevator operates.

RegenAC™ System Kits

Voltage	Magnetek PN	Current Rating	
200V Class	R1000-230-0100	10	
	R1000-230-0150	15	
	R1000-230-0200	20	
	R1000-230-0300	30	
	R1000-230-0400	41	
	R1000-230-0500	50	
	R1000-230-0600	60	
	R1000-230-0800	83	
	R1000-230-1000	102	
	R1000-230-1500	153	
	R1000-230-2000	209	
	R1000-230-3000	306	
	400V Class	R1000-460-0050	5
		R1000-460-0075	8
R1000-460-0100		11	
R1000-460-0150		16	
R1000-460-0200		22	
R1000-460-0250		27	
R1000-460-0300		32	
R1000-460-0400		43	
R1000-460-0500		54	
R1000-460-0600		66	
R1000-460-0750		81	
R1000-460-1000		110	
R1000-460-1500		161	
R1000-460-2000		237	
R1000-460-3000	326		
R1000-460-4500	466		

Includes: RegenAC™ Module, Drive Reactor, Regen Reactor, and Fuse Kit.
(Parts are supplied loose for customer assembly and wiring)

RegenAC™ Panel Kits

Magnetek P/N	Current Rating
ENC-R1000-2-0400	41
ENC-R1000-2-0600	60
ENC-R1000-2-0800	83
ENC-R1000-2-1000	102
ENC-R1000-4-0400	43
ENC-R1000-4-0600	66
ENC-R1000-4-0750	81
ENC-R1000-4-1000	110

Panel-Mounted offerings include all components contained in RegenAC™ System Kit on a factory wired panel.

RegenAC™ Enclosed Kits

Magnetek P/N	Current Rating
PNL-R1000-2-0400	41
PNL-R1000-2-0600	60
PNL-R1000-2-0800	83
PNL-R1000-2-1000	102
PNL-R1000-4-0400	43
PNL-R1000-4-0600	66
PNL-R1000-4-0750	81
PNL-R1000-4-1000	110

Enclosed offerings include all components contained in RegenAC™ Kit on a factory wired panel mounted in an enclosure.



MAGNETEK
E L E V A T O R

WWW.ELEVATORDRIVES.COM

MAGNETEK ELEVATOR (US)
info@elevatordrives.com

N50 W13605 Overview Drive Toll-Free Phone 800.236.1705
Menomonee Falls, WI 53051 Phone 262.252.6999
Fax 262.790.4142

MAGNETEK LTD. (UK)
eurosales@magnetek.com

Unit 3, Bedford Business Centre Phone +44(0) 1234 349191
Mile Road Fax +44(0) 1234 268955
Bedford MK42 9TW UK